

ATRIA II 10

SPECIFICATION SHEET
ARCHI-COLOR® W+RGB

REIMAGINING PERFORMANCE SPACES

Housing

Diameter : Ø9.4" | Height : 20.5" | Weight : 30 lbs

Material

Housing : High Pressure Die-Cast Aluminum

Optics : Metal Reflector

Power Input

100W (White= 50W, RGB=50W) | 120-277V

200W TypeA (White=100W, RGB=100W) | 120V-277V

200W TypeB (White=150W, RGB=50W) | 120V-277V

Lumen Output

6,145 lm (100W), 13,255 lm (200W TypeA), 14,145 lm (200W TypeB)

Dimming

DMX : High resolution dims to 0.1% (Supports ANSI E1.20 RDM protocol)

Color Quality

CRI 85

Rated Life

> 100,000 Hours (L70)

Finish



Matte Black

Matte White

Color Temperature



3000K

Archi-Color® W+RGB

Optics



45°



55°



Wide

Mounting



Stem
Mount



Adjustable
Cable



Wall
Mount



Yoke
Mount

Warranty

5 Year limited warranty

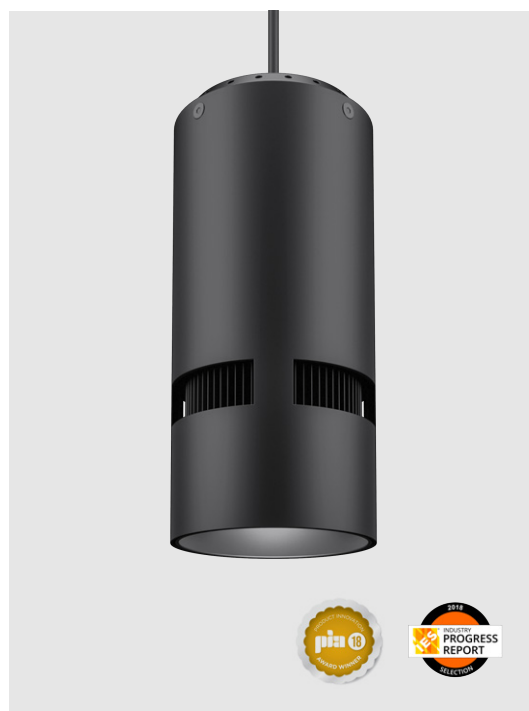
Listing



Architecture + Color Combined

Engineered for performance spaces, this architectural compact cylinder seamlessly integrates into ceilings, delivering powerful performance with vibrant, color-changing technology that elevates any stage environment.

With Archi-Color®, Atria II provides true independent white light for commercial applications, as well as unlimited chromatic possibilities to transform spaces with colorful dynamic light.



SPECIFICATION

PROJECT NAME

DATE

CATALOG #

QUANTITY

The product configurator function on this page works only with the latest version of Chrome or Adobe Acrobat Reader.

<input type="text" value="AS1110"/>	MODEL	ATRIA II 10		
<input type="text"/>	WATTAGE	100 100W	200A 100W/100W (White=100W, RGB=100W)	200B 150W/50W (White=150W, RGB=50W)
<input type="text" value="308C"/>	CCT / CRI	308C 3000K + RGB / CRI 85 Archi-Color® W+RGB		
<input type="text" value="UNV"/>	VOLTAGE	UNV 120 – 277V		
<input type="text"/>	DIMMING	DMX DMX dims to 0.1% (XLR Sockets)	DMXR DMX dims to 0.1% (RJ45 Sockets)	DMXP DMX dims to 0.1% (Terminal Block)
		DMXW DMX dims to 0.1% (Hard-wired)		
<input type="text"/>	BEAM ANGLE	45 45°	55 55°	WD¹ Wide
<input type="text"/>	FINISH	BLK SilentBlack™, Matte Finish		WHT SilentWhite™, Matte Finish
<input type="text"/>	MOUNTING	ST2 Stem 2ft	ST4 Stem 4ft	AD10 Adjustable Cable 10ft
		SAD10 Sloped Adjustable Cable 10ft	WLM² Wall Mount	YKM Yoke Mount
<input type="text"/>	ACCESSORIES	SPD³ Surge Protector	HC⁴ Honeycomb Louver	CT⁵ Conduit Mount
		FCS⁶ Field Cut Stem Adapter Kit		

CLEAR FORM

¹ WD option reduces delivered lumens by ~20%

² WLM is not compatible with DMX, DMXR, DMXP; connections are hard-wired using three DMX wires

³ Surge protector for up to 10KV. Applicable for unstable mains or facilities using high power machineries

⁴ HC option reduces delivered lumens by ~30%

⁵ CT is not compatible with YKM, WLM

⁶ FCS is not compatible with AD10, SAD10, YKM, WLM

TECHNICAL DETAILS

Electrical

- 6,145 lm (100W | White = 50W, RGB = 50W)
- 13,255 lm (200W TypeA | White = 100W, RGB = 100W)
- 14,145 lm (200W TypeB | White = 150W, RGB = 50W)
- Power Input : Universal (120-277V)
- Operating Temperature : -13°F~112°F
- Surge Protection : Built-in is 4KV
- Power Factor Greater than 0.9

LED Features

- Color Temperature : 3000K + Archi-Color® W+RGB
- CRI 85
- Long lasting LED luminaire tested under TM21 lumen maintenance L70 @ 100,000 Hrs
- Lumen Maintenance > 0.90 at 60,000 hours

Optics

- Precision molded high transmittance clear PC lens
- Beam Angle : 45°, 55°, WD

Advanced Dimming

- Proprietary VX Driver™ is integrated across all dimming options, delivering video flicker-free performance and full compliance with IEEE 1789.
- DMX : High resolution dims to 0.1% (Supports ANSI E1.20 RDM protocol)

Housing

- Diameter : Ø9.4"
- Height : 20.5"
- Material : High Pressure Die-Cast Aluminum, Metal Reflector
- Weight : 30 lbs

Mounting

- Stem 2ft or 4ft; 45° Swivel Canopy Included
- Adjustable Cable 10ft
- Sloped Adjustable Cable 10ft
- Wall Mount
- Yoke Mount

Warranty

- 5-year limited warranty

Listing

- ETL Damp Location Listed
- CE
- UKCA
- FCC

PERFORMANCE SUMMARY*

Lumen Performance				
	R	G	B	W
100W	220lm	1,700lm	210lm	4,015lm
200W Type A	615lm	4,075lm	485lm	8,080lm
200W Type B	220lm	1,700lm	210lm	12,015lm

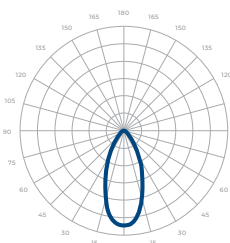
Wattage				
Channel	R	G	B	W
Fixture Wattage				
100W	17W	17W	17W	50W
200W Type A	33W	33W	33W	100W
200W Type B	17W	17W	17W	150W

*Beam Angle: 45° *Tolerance ±8%

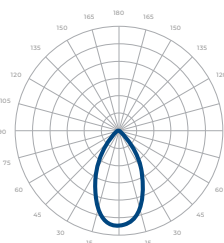
Current Consumption		
Voltage	120V	277V
Fixture Wattage		
100W	0.9A	0.45A
200W	1.8A	0.9A

PHOTOMETRICS

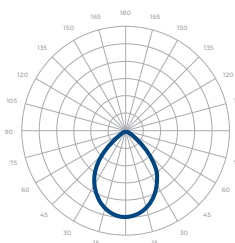
Below is a typical photometric representation of the Atria II 10 fixture. Please download IES files to ensure exact photometric value.



45°



55°



Wide

DMX REQUIREMENTS

The Atria II 10 Archi-Color® fixture with DMX is a **four channel dmx** unit. When placing an order, please indicate DMX address. (The DMX address will be listed on the back of the fixture). Do not connect more than 32 fixtures per DMX daisy chain.

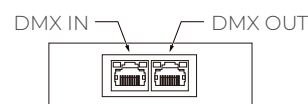
Channel Fixture	DMX Address			
	Red Control (ex. X)	Green Control (ex. X+1)	Blue Control (ex. X+2)	White Control (ex. X+3)
#1	1	2	3	4
#2	5	6	7	8
#3	9	10	11	12

*The White Control channel adjusts the brightness of 3000K LEDs.

DMX REQUIREMENTS

The fixture can be connected with RJ45 or XLR sockets. DMX cables **are not** included; please refer to compatible DMX cabling list for more information. The final fixture on each daisy chain should be terminated by the use of a DMX terminator purchased from a 3rd party or from Meteor.

CONNECTION	RJ45 (CAT5e)	5-PIN XLR
Common	WHITE/BROWN(PIN7) & BROWN (PIN 8)	PIN 1
Signal -	ORANGE (PIN 2)	PIN 2
Signal +	WHITE/ORANGE (PIN 1)	PIN 3
Spare	-	PIN 4
Spare	-	PIN 5

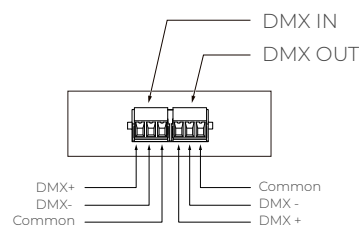


RJ45 Sockets



DMX IN DMX OUT

XLR Sockets



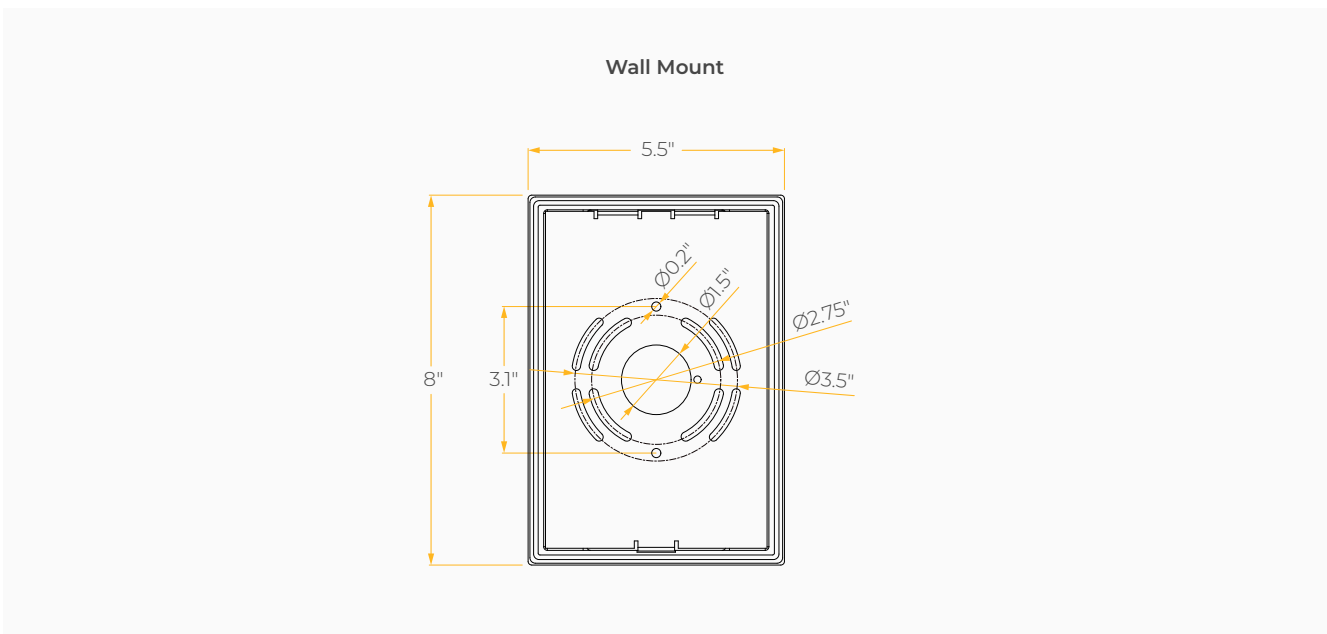
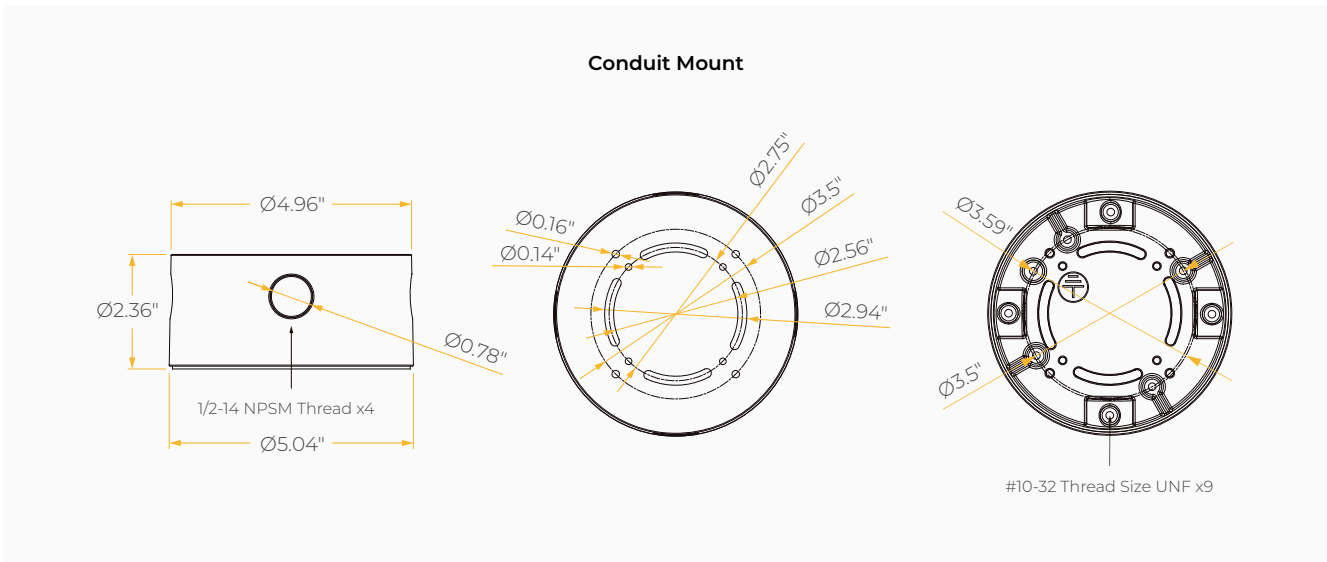
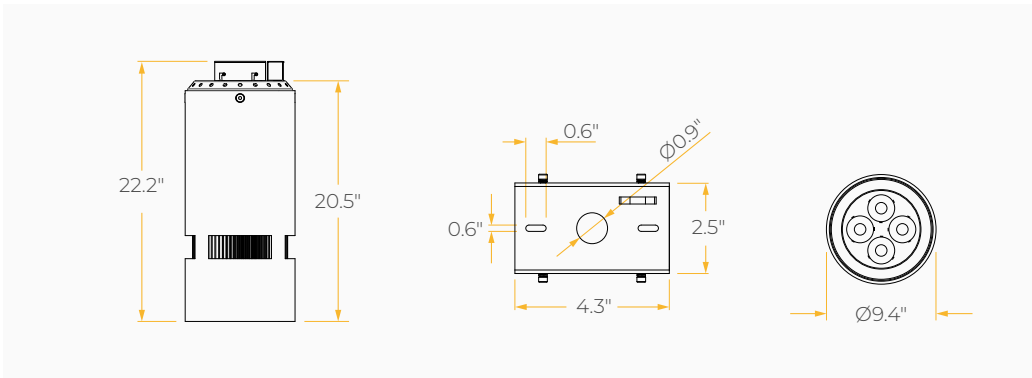
Phoenix Connector

COMPATIBLE DMX CABLING LIST

DMX uses a cable consisting of two twisted pairs plus a shield to carry data. The cable must be specifically impedance matched for the digital DMX signal, meaning that microphone cable or other non-rated cable must not be used to carry DMX. Network cable (Cat5, 5e or 6 cable) may be used to carry DMX in an installation; however special consideration must be given to shielding and termination. Under no circumstances should solid core cable like Cat5 be terminated into a screw down connector.

Meteor recommends the use of Belden 9729 or Belden 9841 for DMX installation. Belden 9729/9841 is a two pair cable, which allows for a spare pair for 'out and back' type terminations if needed.

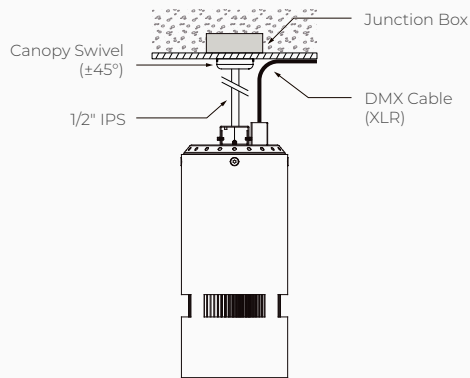
DIMENSIONS



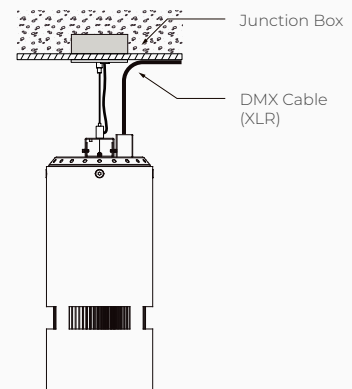
MOUNTING OPTIONS*

*Junction box not included

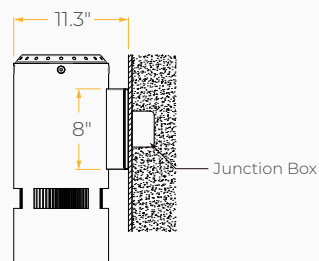
Stem Mount



Sloped Adjustable Cable / Adjustable Cable



Wall Mount



Yoke Mount

